

%C134 and %L100 are for the fan filter circuit and are fitted (in place of %R145) only if required.

%R108 and %R110 are fitted to Series I compatible PAs only.

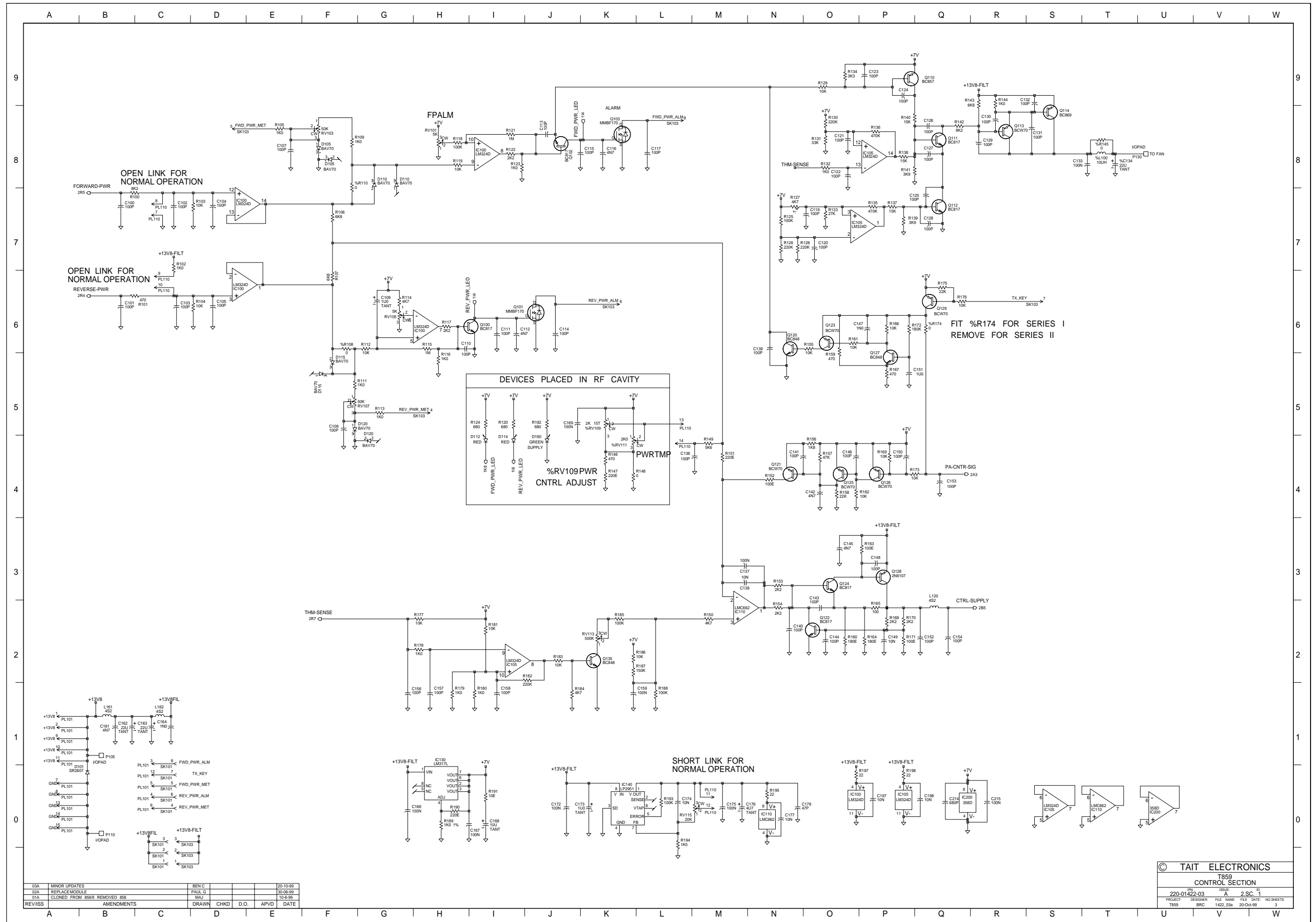
%L213 is fitted to Series II compatible PAs only.

%RV111 may be fitted instead of %RV109 to convert the output power adjustment to internal access only.

%R174 is fitted to Series I compatible PAs only.

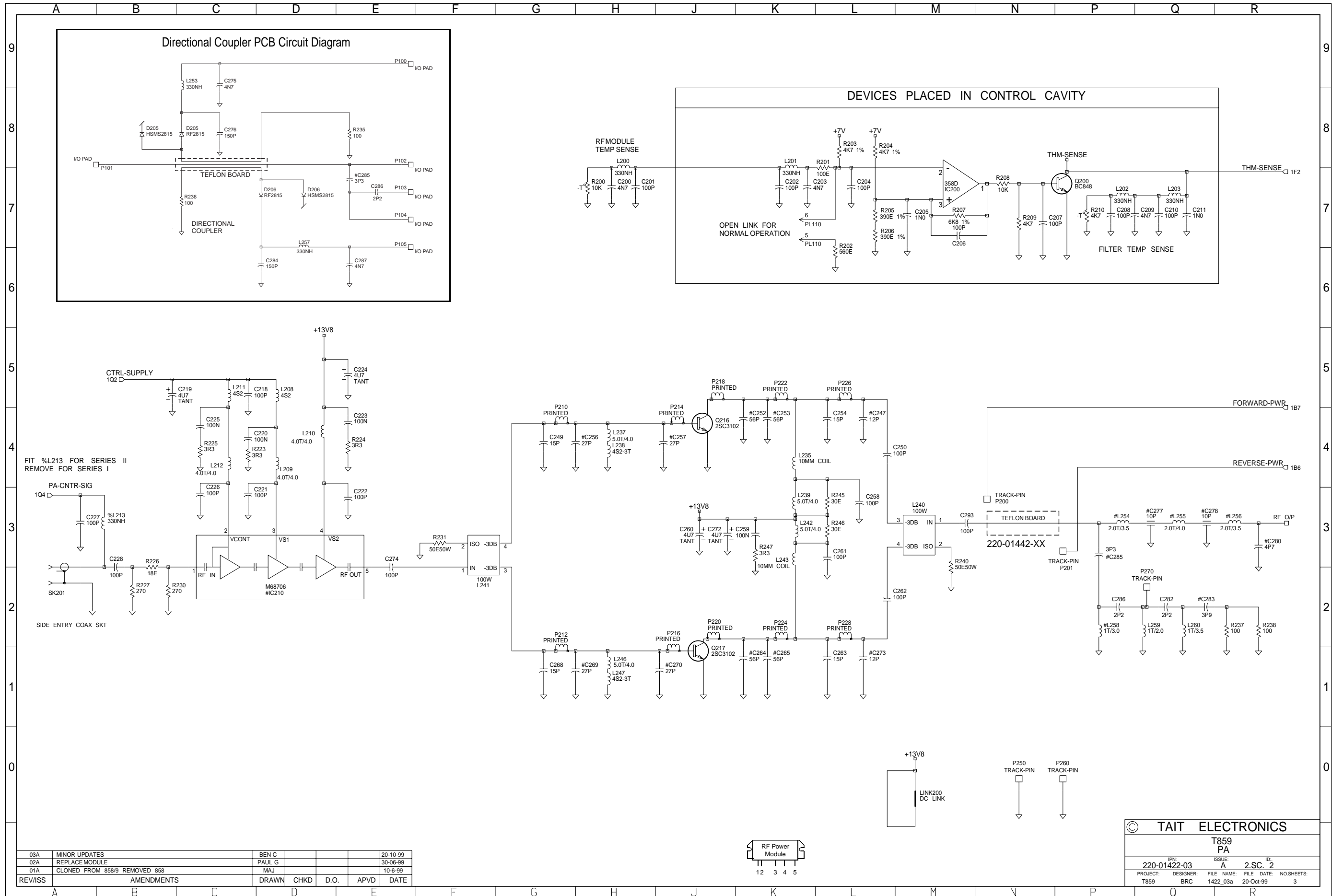
The circuitry for the break-off D-range PCB is shown on the control section circuit diagram.

T859 PCB Layout - Top Side  
220-01422-03



03A	MINOR UPDATES	BEN C			20-10-99
02A	REPLACE MODULE	PAUL G			20-06-99
01A	CLONED FROM 8599 REMOVED 858	MAJ			10-6-99
REV/ISS	AMENDMENTS	DRAWN	CHKD	D.O.	APVD DATE

© TAIT ELECTRONICS					
T859 CONTROL SECTION					
IPN	220-01422-03	A	2	SC	1
PROJECT	T859	BRC	1422.03a	20-Oct-99	3



03A	MINOR UPDATES	BEN C		20-10-99
02A	REPLACE MODULE	PAUL G		30-06-99
01A	CLONED FROM 858/9 REMOVED 858	MAJ		10-6-99
REV/ISS	AMENDMENTS	DRAWN	CHKD	D.O. APVD DATE

© TAIT ELECTRONICS	
T859 PA	
IPN: 220-01422-03	ISSUE: A 2.S.C. 2
PROJECT: T859	DESIGNER: BRC
FILE NAME: 1422_03a	FILE DATE: 20-Oct-99
	NO. SHEETS: 3